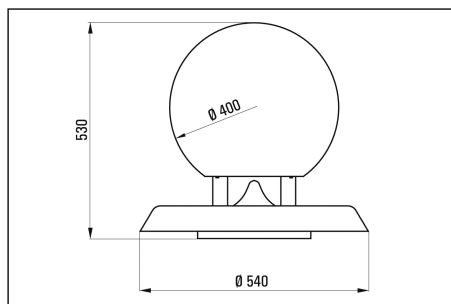
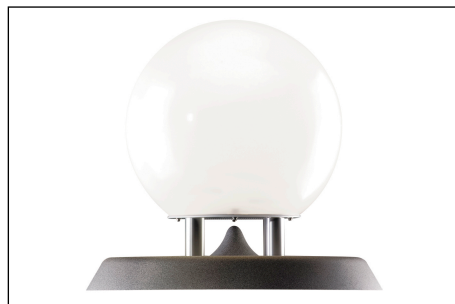


R 1900 WPL

2-way omnidirectional speaker with light, ideal for the reproduction of music indoors and out, e.g. in amusement parks, in gardens or terraces in hotels or for domestic use, outdoor swimming pools, pub gardens,... The R 1900 WPL is fitted with a 166 mm woofer and coaxial tweeter arrangement. The two integral lights (230 V) ensures the ball is evenly illuminated. The speaker is mounted on a plate screwed onto the surface which provides anti-theft protection.



Technical Data	R 1900 WPL-4	R 1900 WPL-T25
Load Rating / Music Power	25/40 W	25 W
Impedance	4 Ohm	
Transformer		25/12.5/6.25 W
SPL 1W/1m	87 dB	87 dB
SPL PNenn/1m	101 dB	101 dB
SPL PNenn/1m/f	112 dB/0.6 kHz	112 dB/0.6 kHz
Frequency Range (-3 dB)	80-20000 Hz	80-20000 Hz
Frequency Range (-10 dB)	60-22000 Hz	60-22000 Hz
Transmission Angle 1/2/4/8 kHz (-6 dB)	60/-/190/360 °	60/-/190/360 °
Component Set	1 x PM 166 A/2 Marine (Coax), Illuminants: 2 x E 27/11 W (230 V)	1 x PM 166 A/2 Marine (Coax), Illuminants: 2 x E 27/11 W (230 V)
Material	Spherical: Polyethylene, stand: PVC, mounting plate: metal zinc plated	Spherical: Polyethylene, stand: PVC, mounting plate: metal zinc plated
Net Weight	4.5 kg	5.3 kg
Colors	spherical white-transparent, stand granite- grey	spherical white-transparent, stand granite- grey
Accessories	incl. lamp	incl. lamp