



Technische Informationen

Engineering Data Sheet

C 25.2

2x 15" / 2"
2-Way Fullrange Cabinet

Features:

- Multi-Functional 2-Way Cabinet
- 1000 W, 4 Ohms
- 60° x 40° Rotatable Coverage Pattern
- 103 dB Sensitivity, 139 dB Maximum SPL
- Crossover with HF Protection
- 2x SMX2151 LF Transducer
- ND2-8 Compression Driver
- M8 Threaded Points

| | C 25.2 |
|---|---|
| Order No. | F01U165093 |
| Cabinet | Fullrange |
| Configuration | Passive 2-Way |
| Nominal impedance | 4 Ohms |
| Minimum Impedance | 3.1 Ohms |
| Rated Power RMS | 1000 W |
| Peak Power | 4000 W |
| Sound pressure level | |
| SPL 1 W / 1 m | 103 dB |
| Max. SPL 1 m (calculated with peak power) | 139 dB |
| Frequency Range (-10 dB) | 55 Hz to 15 kHz |
| Nominal Coverage Angle (Horizontal x Vertical) | 60° x 40° (or 40° x 60°) |
| X-Over Frequency | 1750 Hz |
| LF Transducer | 2x SMX2151, 15" (381 mm) Driver |
| HF Transducer | ND2-8, 2" (51 mm) Diaphragm Compression Driver |
| Connectors | 2x Neutrik Speakon NL4 Full-Range 1+ / 1- Wired through 2+ / 2- |
| Dimensions (W x H x D) | 445 mm x 1130 mm x 445 mm (17.5" x 44.5" x 17.5") |
| Net Weight | 44.9 kg (99.0 lbs) |
| Shipping Weight | 50.5 kg (111.3 lbs) |
| Enclosure material | MDF with D-PUR PLUS |
| Grille | Steel, Black Finish with Acoustic Gauze |
| Suspension | 6x M8 threaded Points - 2x on Each Side and 2x on the Rear of Enclosure |
| Warranty | 5 years |
| Optional Accessories | |
| EBK-M8 Eye Bolt Kit | F01U166797 |
| Spare Parts | |
| LF Transducer | F01U134309 |
| HF Transducer | F01U106894 |



Wir weisen ausdrücklich darauf hin, dass bei gehängten Lautsprecherboxen die einschlägigen Sicherheitsbestimmungen zu beachten sind. Es muss unbedingt qualifizierte Fachberatung in Anspruch genommen werden!

We expressly point out that the relevant safety regulations must be observed for "flying" loudspeaker systems. It is imperative that qualified expert advice is sought.

WARNING:

THIS LOUDSPEAKER SYSTEM CAN PERMANENTLY DAMAGE HEARING! USE EXTREME CARE WHEN SETTING SOUND PRESSURE LEVELS!

DANGER:

CONSULT A CERTIFIED STRUCTURAL ENGINEER BEFORE ANY ATTEMPT TO SUSPEND THIS LOUDSPEAKER! LOUDSPEAKER CAN FALL FROM IMPROPER SUSPENSION, RESULTING IN SEVERE INJURY AND DAMAGE OF PROPERTY. DO NOT SUSPEND OR MOUNT ANY OTHER PRODUCT OR DEVICE FROM THIS LOUDSPEAKER ENCLOSURE! USE GRADE 5 HARDWARE OR BETTER ONLY!

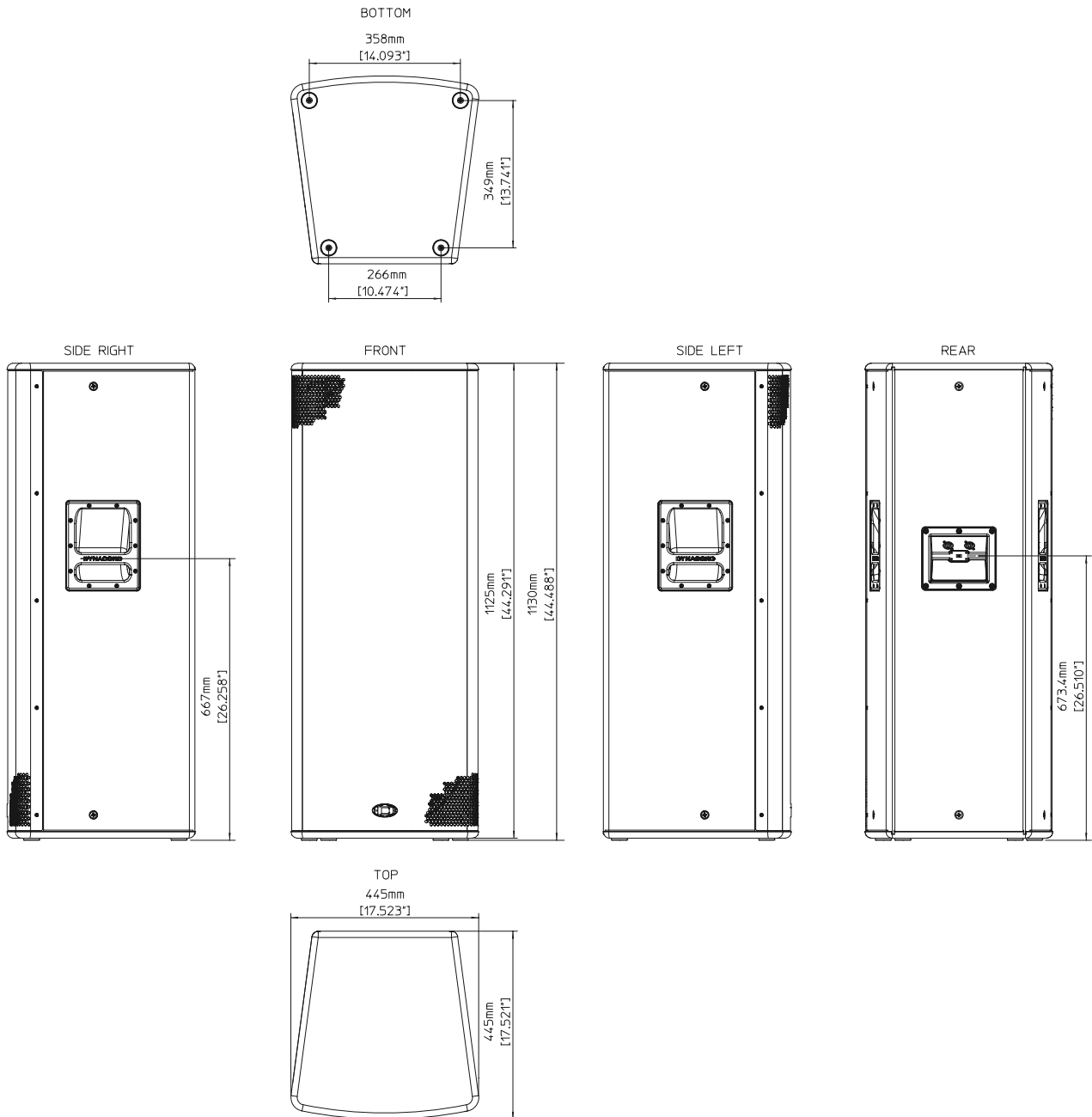
Beschreibung

Werden sehr hohe Schalldrücke aus kompaktem Format gebraucht ist die trapezförmige C 25.2 als Doppel - 15" / 2-Weg Fullrange Box mit einer sehr hohen Belastbarkeit von 1000W Continuous / 4000W Peak und einem Wirkungsgrad von 103 dB 1W / 1m die richtige Wahl. Der Maximal-Schalldruck beträgt 139 dB und erlaubt auch im Fullrange-Betrieb die Beschallung größerer Räume und Events. Im Tieftonbereich kommen zwei SMX 2151 Woofer zum Einsatz, im Hochtonbereich arbeitet ein ND2-8 Neodymium Compression-Treiber in ein rotierbares 60° x 40° Constant Directivity Horn für den Frequenzbereich oberhalb 1750 Hz. Für das Crossover wurden für eine sehr steilflankige Trennung Filter sechster Ordnung gewählt. Flugpunkte für Eyebolts erlauben vertikale oder horizontale Aufhängung. Als ideale Ergänzung für sehr druckvolle Aktiv-2-Weg Systeme wird der Doppel-18" Subwoofer Sub 2.18 zusammen mit den Controllern DSP 260 oder DSP 600 und Endstufen der Serien SL oder LX empfohlen. Geeignete Presets stehen für beide Controller zur Verfügung, bei Verwendung des DSP 600 auch ein FIR-TUNE Preset.

Description

If very high sound pressure levels are required from a compact format, the trapezoidal C 25.2 double 15" / two-way full-range cabinet is the ideal choice, with its very high power handling (1000W continuous / 4000W peak) and sensitivity of 103 dB 1W / 1m. Boasting a maximum SPL of 139 dB, it is capable-even in full-range operation-of providing coverage for larger rooms and events. In the low frequency range, two SMX 2151 woofers are used, whilst in the high frequency range, an ND2-8 neodymium compression driver in a rotatable 60° x 40° constant directivity horn covers the frequencies above 1750 Hz. The crossover is implemented using a sixth order filter with a very steep roll-off. Flying points for eyebolts allow the cabinet to be suspended either vertically or horizontally. As the ideal companion for a very powerful active two-way system, the double 18" subwoofer Sub 2.18 is recommended together with the DSP 260 or DSP 600 controllers and power amplifiers from the SL or LX series. Suitable presets for both controllers are available, as well as a FIR-TUNE preset for the DSP 600.

Illustration 1: Dimensions



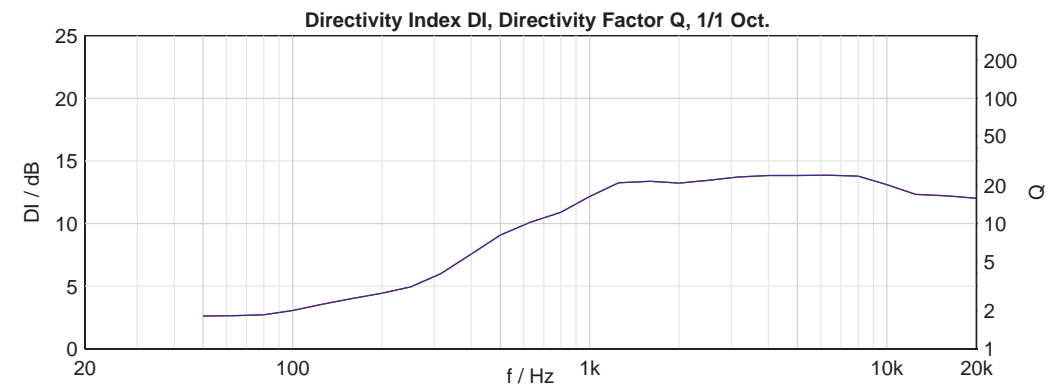
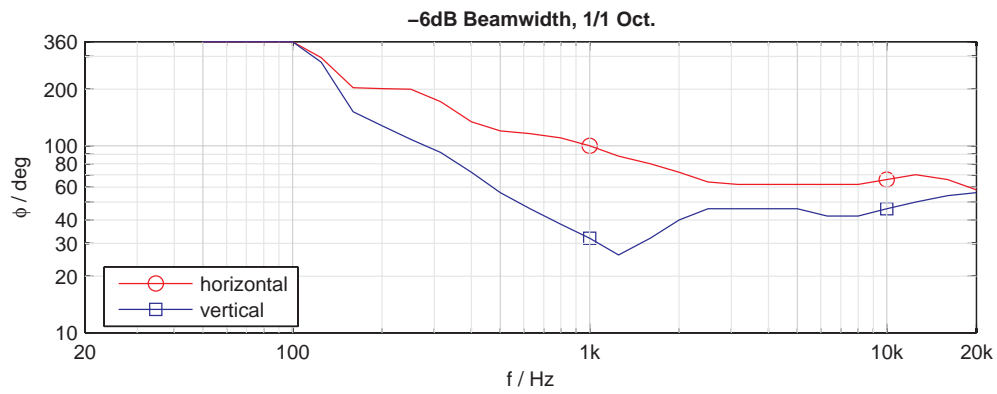
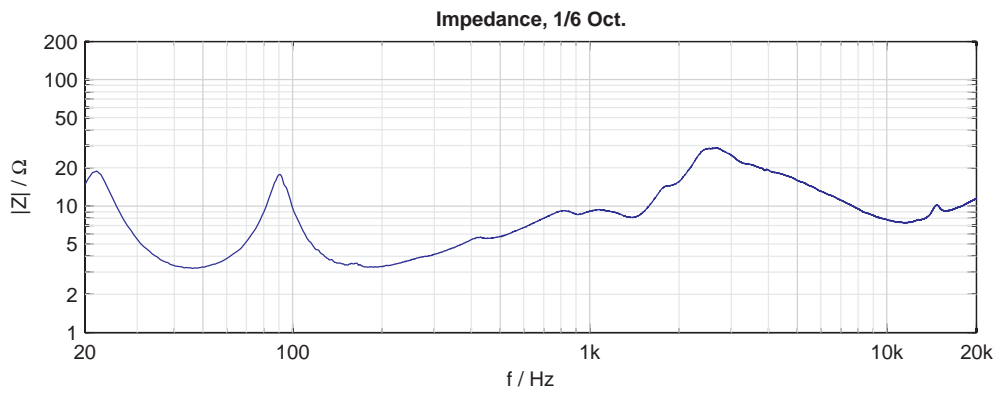
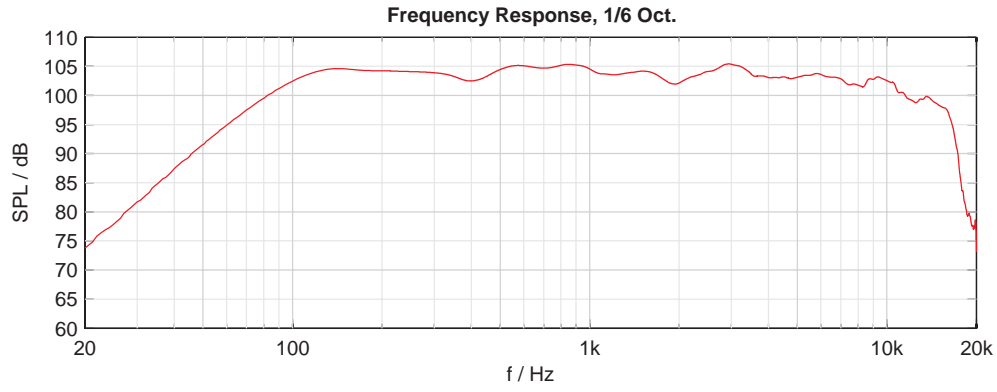


Illustration 3: Block diagram

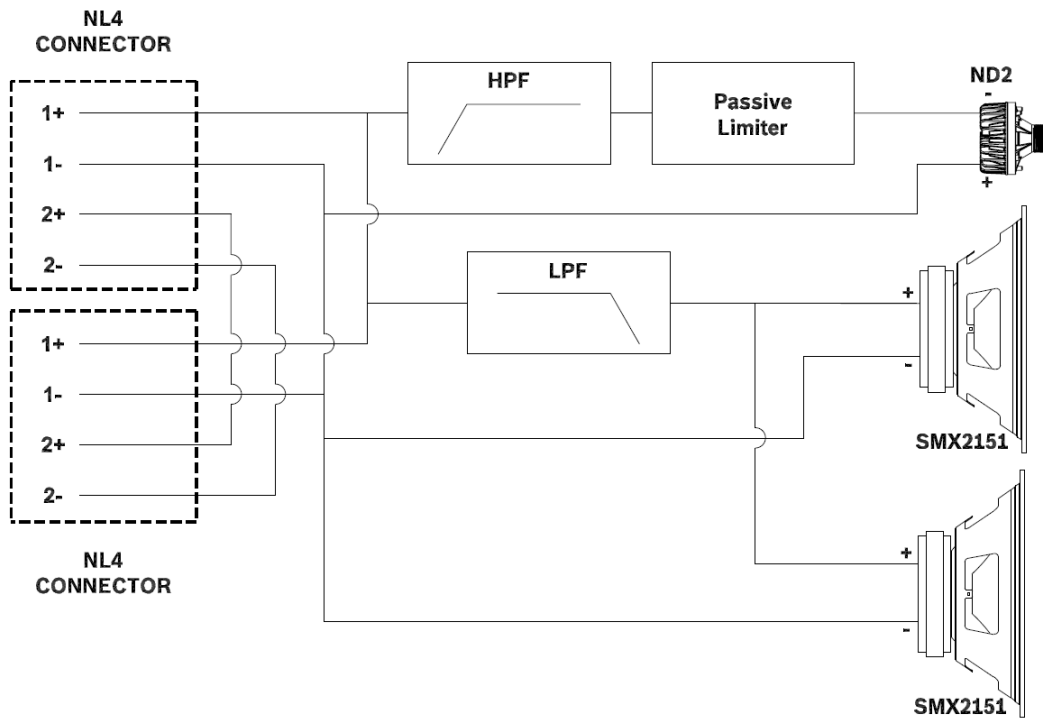
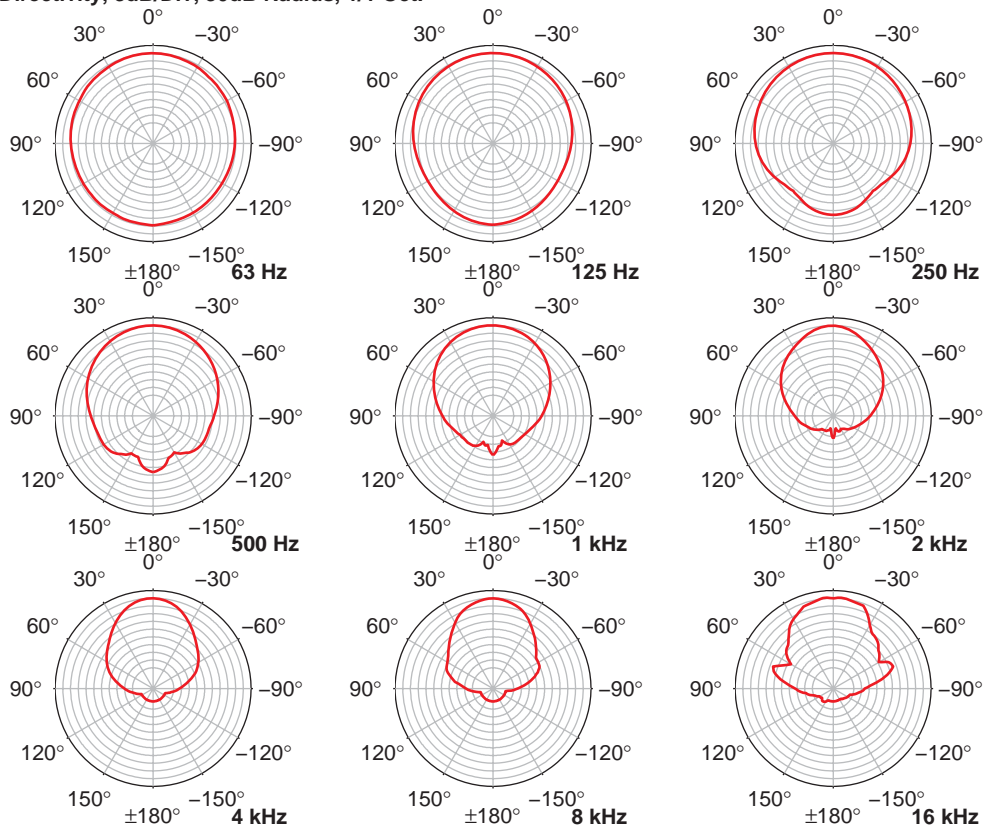
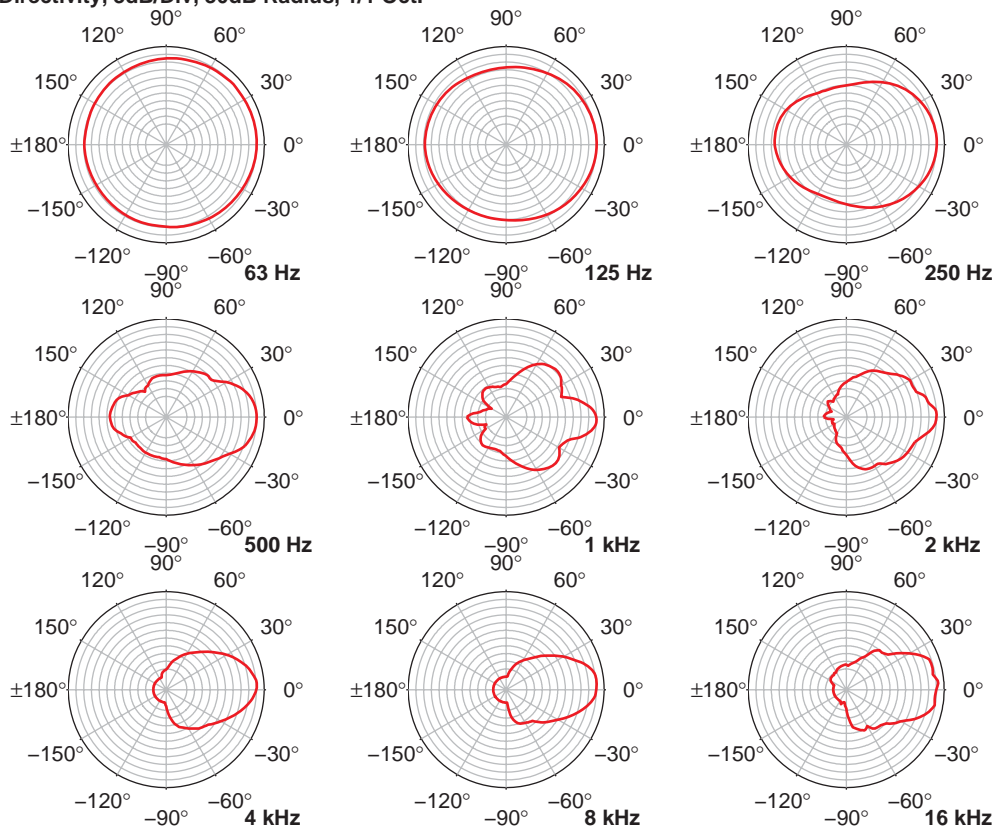


Illustration 4: Horizontal Directivity

Horizontal Directivity, 3dB/Div, 30dB Radius, 1/1 Oct.



Vertical Directivity, 3dB/Div, 30dB Radius, 1/1 Oct.



Rigging

Illustration 6: Remove the M8 Screws from the Loudspeaker, then install the Washers and Eyebolts (EBK-M8 Eye Bolt Kit) to the Loudspeaker

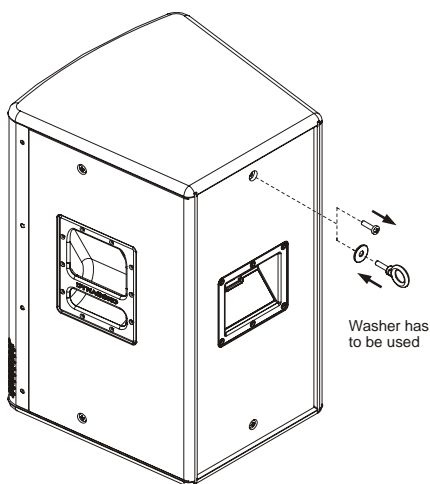


Illustration 7: Eyebolts shown oriented in the plane of pull (CORRECT)

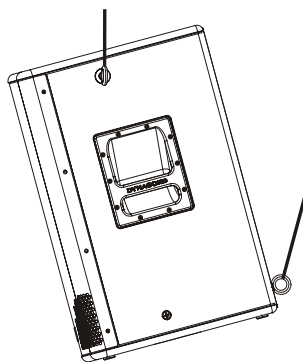


Illustration 8: Eyebolts not oriented in the plane of pull (INCORRECT)

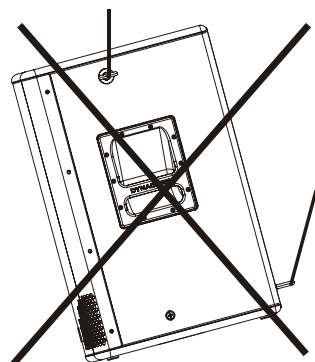
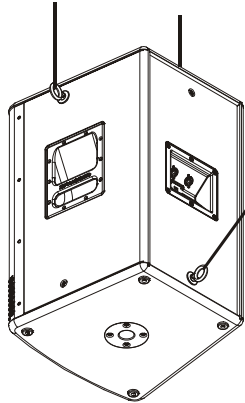


Illustration 9: C 25.2 vertically suspended (CORRECT)



WARNING:
Suspension points are to be used for a single enclosure only, never arrays. Never exceed the limitations or maximum recommended working load for the C 25.2 systems.

Illustration 10: C 25.2 vertically suspended (INCORRECT)

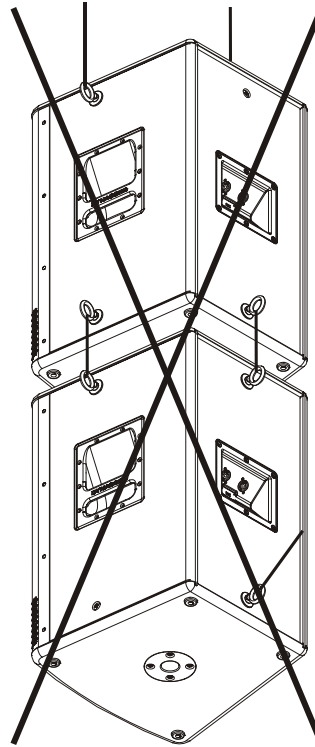


Illustration 11: Vertical orientation

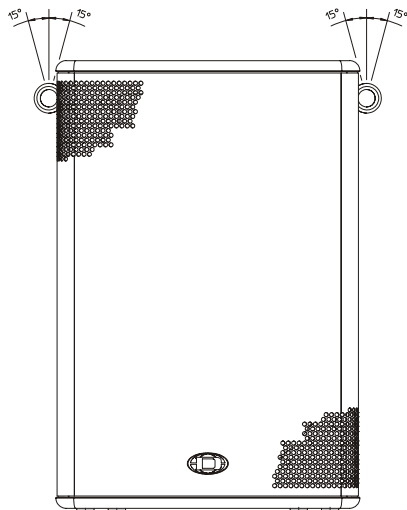
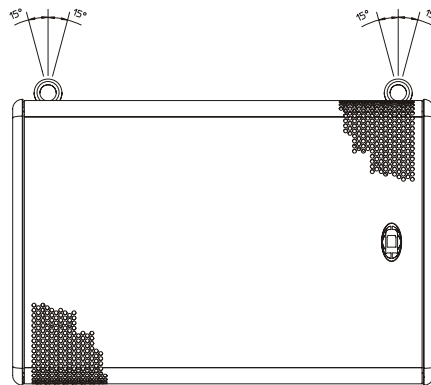


Illustration 12: Horizontal orientation



CAUTION: Eyebolts must be fully seated and orient in the plane of pull as shown. Always use washers under the eyebolt to distribute the load on the enclosure.



12000 Portland Avenue South, Burnsville, MN 55337, USA
Phone: +1 952/844-4051, Fax: +1 952/884-0043

www.dynacord.com

© Bosch Communications Systems 09/2010
Part Number F01U164570 Vs 01

Europe, Africa, and Middle East only. For customer orders, contact Customer Service at:
+49 9421-706 0 Fax: +49 9421-706 265

Asia & Pacific only. For customer orders, contact Customer Service at:
+65 6571 2534 Fax: +65 6571 2699

For technical assistance, contact Technical Support at: **+49 9421-706 0**

Specifications subject to change without notice.