



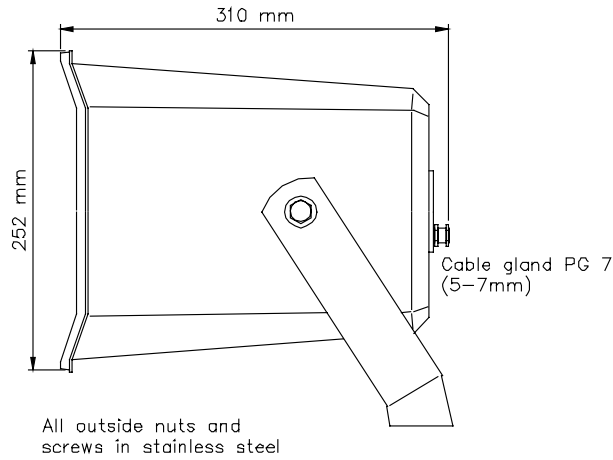
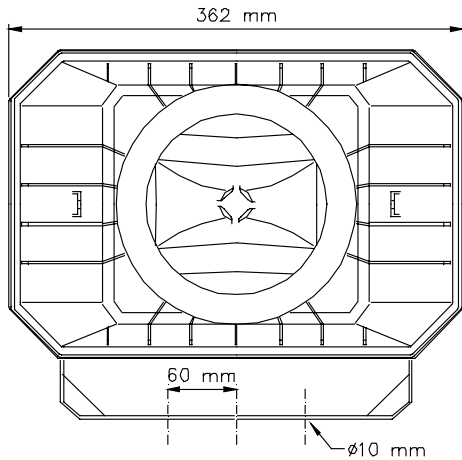
DNH^{AS}

N-3770 Kragerø
 NORWAY
 Phone: (47) 35 98 56 00
 Fax: (47) 35 98 56 10
 E-mail: dnh@dnh.no
 Web-site: www.dnh.no

ISO 9001 CERTIFIED

MH-30 (T)

DNH WW Ltd. Phone:(44) 1908 275 000
 England Fax:(44) 1908 275 100
 E-mail: dnh@dnh.co.uk
 DNH GmbH Phone:(49) 040 6569 30-0
 Germany Fax:(49) 040 6569 30-30
 E-mail: dnh@dnh.de



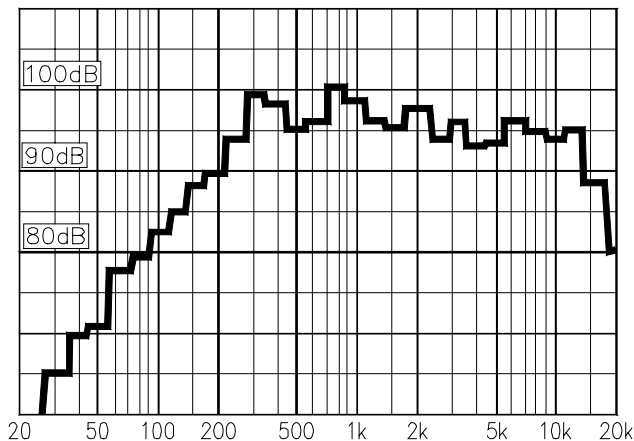
Transformer:
 100 Volt line

Primary nominal
 tapings:

1 : 2	30,0 W
2 : 3	15,0 W
3 : 4	7,5 W
1 : 3	5,5 W
2 : 4	2,7 W
1 : 4	2,0 W
1 : 5	8Ω

1 = Red, 2 = Yellow
 3 = Green, 4 = Blue
 5 = Black

1W/1m Pink Noise 1/3 octave bands



Material / Colour..... ABS, Polypropylene / RAL 7035
 Mounting Aluminium bracket
 TerminationScrew terminals in termination chamber
 Weight 4,2 kg
 IP-rating 55
 Max. / min. amb. temp 90°C / -40°C
 Standard version 100 V transformer
 Rated / max. power 30 W / 50 W
 SPL 1W/1m..... 96 dB
 SPL rated power 110 dB
 Effective freq. range 85 – 16000 Hz
 Dispersion (-6dB) 1kHz / 4kHz 65° / 30°
 Directivity factor, Q.....

Installation, Operation and Maintenance Procedures

- When mounting the loudspeaker please ensure that it is re-assembled in the same manner in which it was received.
- To change the position of the loudspeaker adjust the bracket (by loosening / tightening the screws) as required.
- For optimum performance, always use the correct voltage / power and operate within the frequency limits as stated.
- Do not open loudspeaker when energized.
- Fasten termination chamber lid with a torque of 1-2 Nm.
- This loudspeaker is supplied with a 2 year warranty against defective workmanship.

Most of our products are available in different colours, impedances and power ratings.

