



ISO 9001 Certified

DNH^{AS}

**N-3770 Kragerø
NORWAY**

Phone: (47) 35 98 56 00
Fax: (47) 35 98 56 10
E-mail: dnh@dnh.no
Web-site: www.dnh.no

DNH WW Ltd. England Phone: (44) 1908 275 000
Fax: (44) 1908 275 100
E-mail: dnh@dnh.co.uk

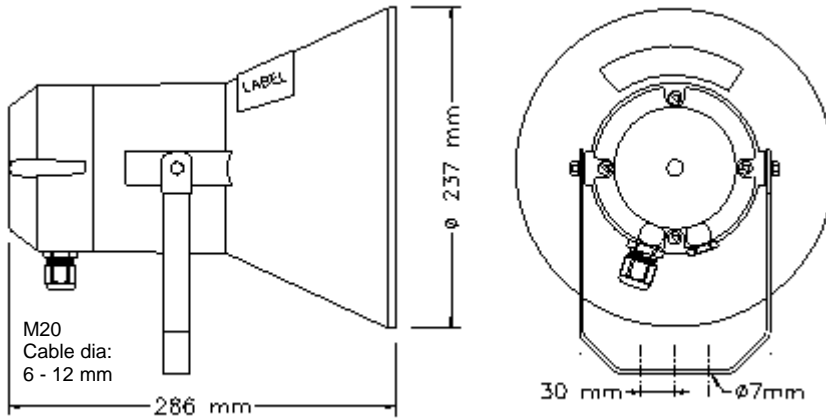
DNH France Phone: (33) 1 5380 0276
Fax: (33) 1 4588 1594
E-mail: etienne@dnh.no

HP-20 EExIIN(T)

DNH GmbH Germany Phone: (49) 040 6569 30 -0
Fax: (49) 040 6569 30 -30
E-mail: dnh@dnh.de

DNH Speakers Inc. USA Phone: (1) 484 494 5790
Fax: (1) 484 494 5793
E-mail: dnh@dnhspeakers.com

Bracket and all outside nuts and bolts in stainless steel



70/100 volt Combined Transformer:

Primary Connections:
6 : 8 70 Volt line
6 : 9 100 Volt line

Secondary nominal tapings:

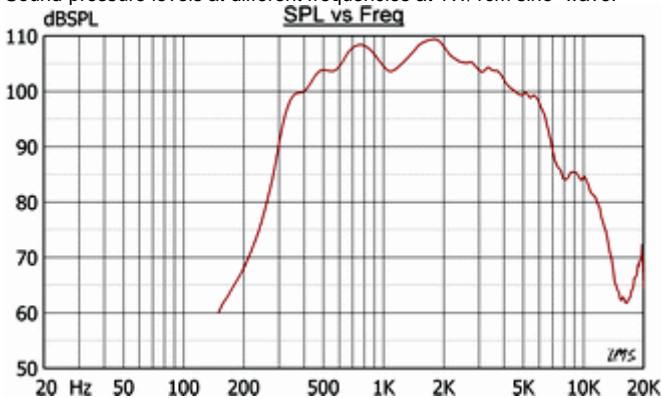
1 : 4 20,0 W
1 : 3 10,0 W
2 : 4 6,0 W
1 : 2 5,0 W
3 : 4 2,0 W
2 : 3 1,5 W

6 = White, 8 = Green
9 = Red

EX II 3 GD Zone 22

Certified by / Certification code / Number: NEMKO / EEx nA II T3 / Nemko 03ATEX3568

Sound pressure levels at different frequencies at 1W/1cm sine wave.



Material/Colour	Anti-static PA / Black
Mounting	Bracket
Termination	Internal screw terminal
Weight	2,3 kg
IP-rating	67
Max. / min. amb. temp	50°C / -50°C
Rated / max. power	20W / 20 W
SPL 1W/1m	110 db
SPL rated power	122 db
Effective freq. range	310- 8000 Hz
Dispersion (-6dB) 1kHz / 4kHz	115° / 30°
Options	Impedance, color, label

Installation, Operation and Maintenance Procedures

- | When mounting the loudspeaker please ensure that it is re-assembled in the same manner in which it was received.
- | To change the position of the loudspeaker please adjust the bracket (by loosening / tightening the screws) as required.
- | For optimum performance, always use the correct voltage / power and operate within the frequency limits as stated.
- | HP-20 EExIIN(T) is designed for Zone 2 environment.
- | Do not open loudspeaker when energized.
- | Fasten lid with a torque of 2-3 Nm.
- | This loudspeaker is supplied with a 2 year warranty against defective workmanship.

