



ISO 9001 Certified

DNH^{AS}

**N-3770 Kragerø
NORWAY**

Phone: (47) 35 98 56 00
Fax: (47) 35 98 56 10
E-mail: dnh@dnh.no
Web-site: www.dnh.no

DNH WW Ltd. England Phone: (44) 1908 275 000
Fax: (44) 1908 275 100
E-mail: dnh@dnh.co.uk

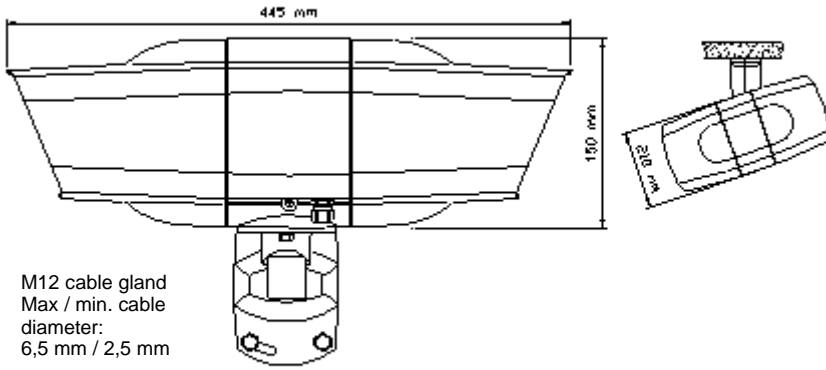
DNH France Phone: (33) 1 5380 0276
Fax: (33) 1 4588 1594
E-mail: etienne@dnh.no

DNH GmbH Germany Phone: (49) 040 6569 30 -0
Fax: (49) 040 6569 30 -30
E-mail: dnh@dnh.de

DNH Speakers Inc. USA Phone: (1) 484 494 5790
Fax: (1) 484 494 5793
E-mail: dnh@dnhspeakers.com

DPD-10(T)

All outside nuts and screws in stainless steel.



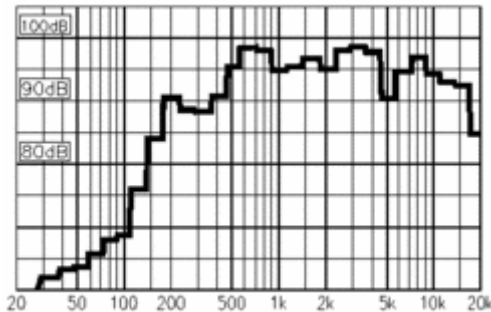
50/100 Volt Combined
Transformer:
(optional 70V)

5:6 50 volt line
5:8 100 volt line

Secondary nominal
tappings:
1:4 10,0 W
1:3 5,0 W
2:4 3,5 W
1:2 2,5 W
3:4 1,5 W
2:3 0,8 W

Optional with stainless steel bracket

Sound pressure levels at different frequencies at 1W/1m 1/3 octave pink noise.



Material/Colour	ASA / RAL 7035
Mounting	Polyamide Swivel Bracket
Termination	Inside screw terminal
Weight	(8,1 lb) 3,7 kg
IP-rating	(12) 55
Max. / min. amb. temp	90 °C / -40 °C
Rated / max. power	10W / 15 W
SPL 1W/1m	96 db
SPL rated power	105 db
Effective freq. range	150- 20000 Hz
Dispersion (-6dB)	1kHz / 4kHz 110° / 40° (Bi-directional)
Options	Impedance, color, label

Installation, Operation and Maintenance Procedures

- I When mounting the loudspeaker please ensure that it is re-assembled in the same manner in which it was received. Fasten bracket.
- I Comes with a unique bracket system which allows multiple positioning options in all different angles.
- I For optimum performance, always use the correct voltage / power and operate within the frequency limits as stated.
- I Do not open loudspeaker when energized.
- I This loudspeaker is supplied with a 2 year warranty against defective workmanship.

