



ISO 9001 Certified

DNH^{AS}

**N-3770 Kragerø
NORWAY**

Phone: (47) 35 98 56 00
Fax: (47) 35 98 56 10
E-mail: dnh@dnh.no
Web-site: www.dnh.no

DNH WW Ltd. Phone: (44) 1908 275 000
England Fax: (44) 1908 275 100
E-mail: dnh@dnh.co.uk

**DNH
France** Phone: (33) 1 5380 0276
Fax: (33) 1 4588 1594
E-mail: etienne@dnh.no

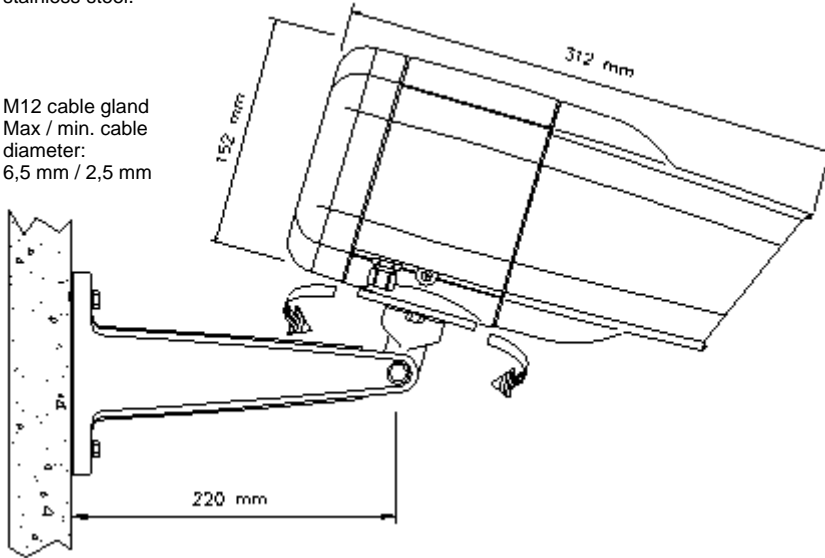
DNH GmbH Phone: (49) 040 6569 30 -0
Germany Fax: (49) 040 6569 30 -30
E-mail: dnh@dnh.de

**DNH
Speakers Inc.** Phone: (1) 484 494 5790
USA Fax: (1) 484 494 5793
E-mail: dnh@dnhspeakers.com

DP-10(T)

All outside nuts and screws in stainless steel.

M12 cable gland
Max / min. cable diameter:
6,5 mm / 2,5 mm



Combined Transformer:

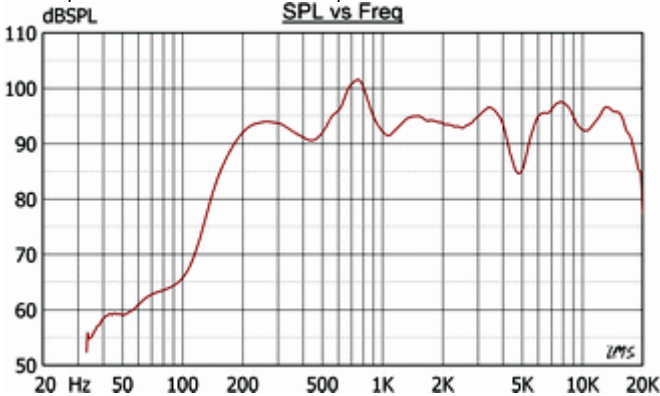
Primary connection:
5 : 6 50 Volt line
5 : 8 100 Volt line
(Optional 70V)

Secondary nominal tapings:

1 : 4 10,0 W
1 : 3 5,0 W
2 : 4 3,5 W
1 : 2 2,5 W
3 : 4 1,5 W
2 : 3 0,8 W

Optional with stainless steel bracket

Sound pressure levels at different frequencies at 1W/1m sine wave.



Material/Colour	Polyamide ASA/ RAL 7035
Mounting	Polyamide Swivel Bracket
Termination	Internal screw terminals
Weight	(6 lb) 2,7 kg
IP-rating	(12) 55
Max. / min. amb. temp	90 °C / -40 °C
Rated / max. power	10W / 15 W
SPL 1W/1m	96 db
SPL rated power	105 db
Effective freq. range	150- 20000 Hz
Dispersion (-6dB) 1kHz / 4kHz	110° / 40°
Options	Impedance, color, label

Installation, Operation and Maintenance Procedures

- 1 When mounting the loudspeaker please ensure that it is re-assembled in the same manner in which it was received. Fasten bracket.
- 1 Comes with a unique bracket system which allows multiple positioning options.
- 1 For optimum performance, always use the correct voltage / power and operate within the frequency limits as stated.
- 1 Do not open loudspeaker when energized.
- 1 This loudspeaker is supplied with a 2 year warranty against defective workmanship.

