



DNH^{AS}

CAS 15(T)

Dovoz a distribuce:

AUDIO ZEMAN

Podnikatelská 565, 19011 Praha 9

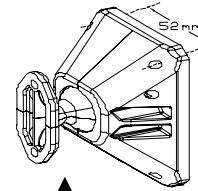
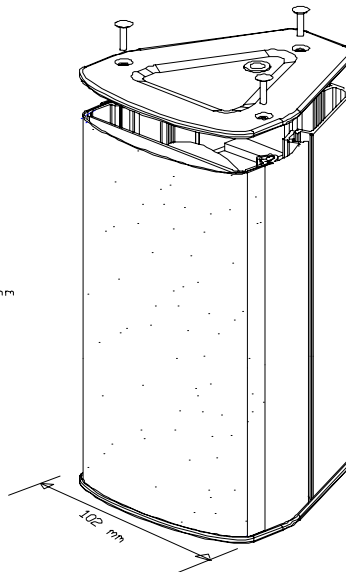
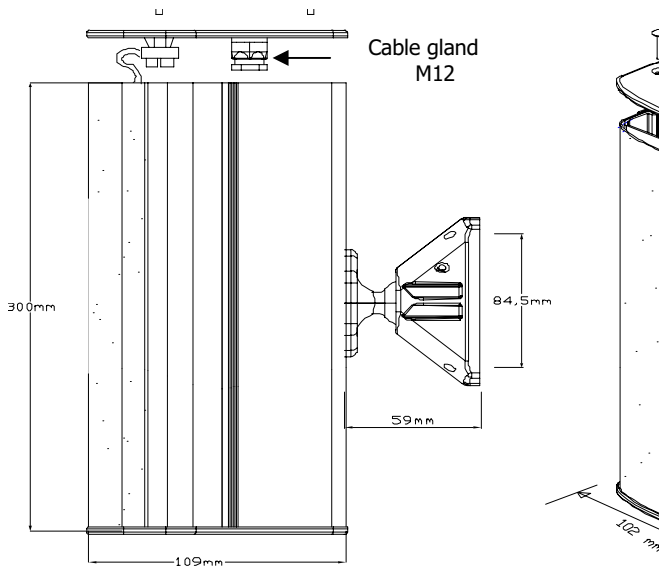
tel.: +420 - 224 267 163

fax: +420 - 224 267 169

info@audiozeman.cz

www.audiozeman.cz

ISO 9001 CERTIFIED



Swivel bracket

Transformer:

Combined

50/100 Volt line

5(White) : 6(Green) 50V

5(White) : 8(Red) 100V

Secondary nominal
tappings:

1 : 4 15,0 W

1 : 3 7,5 W

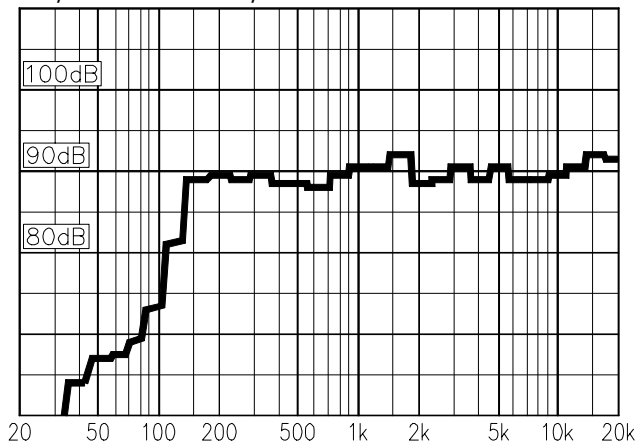
2 : 4 5,5 W

1 : 2 4,0 W

3 : 4 2,0 W

2 : 3 1,0 W

1W/1m Pink Noise 1/3 octave bands



Material Aluminium, PA
 Colour Anodized aluminium or RAL 9010 (white)
 Mounting Swivel bracket
 Termination Screw terminals
 Weight 1,8 kg
 IP-rating 54
 Max. / min. amb. temp 110 °C / -20 °C
 Standard version 50 V / 100 V transformer
 Rated / max. power 15 W / 20 W
 SPL 1W/1m 91 dB
 SPL rated power 101 dB
 Effective freq. range 100 – 20000 Hz
 Dispersion (-6dB) 1kHz / 4kHz 170° / 45°
 Directivity factor, Q

Installation, Operation and Maintenance Procedures

- For termination open cover by unscrewing the three torx screws. Termination side is marked with label. Lead cable through cable gland and terminate. Replace cover.
- To mount, slide two M6 nuts in slot and fasten the swivel bracket with two bolts. Slide swivel bracket to wanted position and tighten bolts.
- To reposition the loudspeaker adjust the swivel bracket by first loosening the two screws on the bracket foot, adjust speaker to wanted position, tighten the screws.
- For optimum performance, always use the correct voltage / power and operate within the frequency limits as stated.
- Do not open loudspeaker when energized.
- Fasten lid with a torque of 1 - 2 Nm.
- This loudspeaker is supplied with a 2 year warranty against defective workmanship.

Most of our products are available in different colours, impedances and power ratings.



DNH reserves the right to alter specifications without notice.

Rev. 09.02.2004