



ISO 9001 Certified

DNH AS

**N-3770 Kragerø
NORWAY**

Phone: (47) 35 98 56 00
Fax: (47) 35 98 56 10
E-mail: dnh@dnh.no
Web-site: www.dnh.no

DNH WW Ltd. England Phone: (44) 1908 275 000
Fax: (44) 1908 275 100
E-mail: dnh@dnh.co.uk

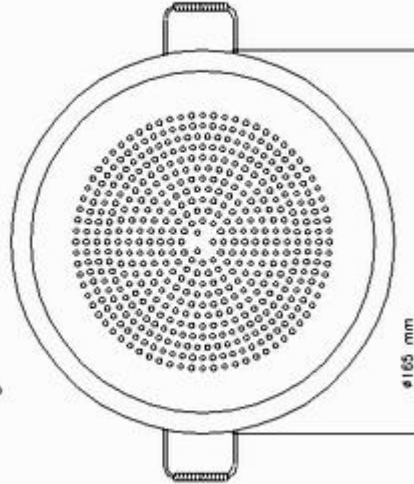
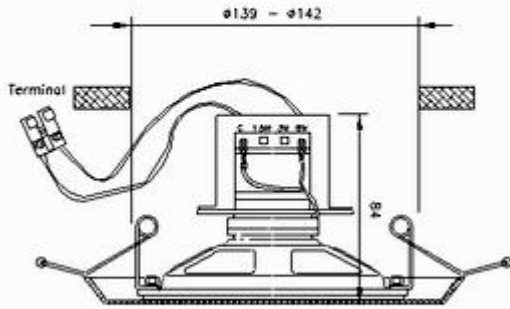
DNH France Phone: (33) 1 5380 0276
Fax: (33) 1 4588 1594
E-mail: etienne@dnh.no

BK-560 CR(T)

DNH GmbH Germany Phone: (49) 040 6569 30 -0
Fax: (49) 040 6569 30 -30
E-mail: dnh@dnh.de

DNH Speakers Inc. USA Phone: (1) 484 494 5790
Fax: (1) 484 494 5793
E-mail: dnh@dnhspeakers.com

Rec. ceiling hole: $\varnothing 139 - 142$ mm

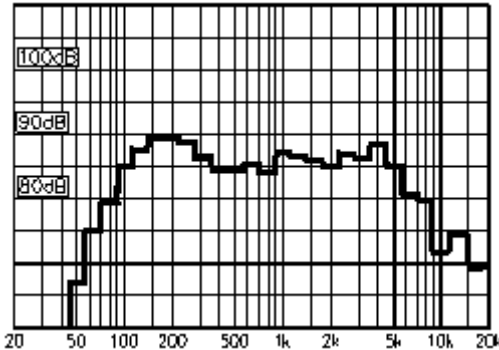


Transformer:
Combined
50 / 100 Volt line
5(White) : 6(Green) 50V
5(White) : 8(Red) 100V

Secondary nominal tappings:

1 : 4 6,0W
1 : 3 3,0W
2 : 4 2,0W
1 : 2 1,5W
3 : 4 0,9 W
2 : 3 0,5 W

Sound pressure levels at different frequencies at 1W/1m 1/3 octave pink noise.



Material/Colour
Mounting
Termination
Weight
IP-rating
Max. / min. amb. temp
Rated / max. power
SPL 1W/1m
SPL rated power
Effective freq. range
Dispersion (-6dB) 1kHz / 4kHz
Options

Aluminium/ RAL9010
Springs
Spring clamps
1.1 kg
0
90°C / -20°C
6W
88 db
95 db
60- 12000 Hz
170° / 60°
Impedance, color, label

Installation, Operation and Maintenance Procedures

- | Connect to terminal. Install loudspeaker grill by bending back 2 springs.
- | For optimum performance, always use the correct voltage / power and operate within the frequency limits as stated.
- | BK-560CR(T) is designed for clean room applications.
- | Take care when loudspeaker is energized (100 V).
- | This loudspeaker is supplied with a 2 year warranty against defective workmanship.

